

## 2.5W × 2 Class AB Audio Power Amplifier

**PT2305**

### **DESCRIPTION**

The PT2305 is an audio power amplifier utilizing CMOS Technology specially designed for audio purpose. It can deliver 2.5W × 2 power output to the 4Ω load. The power consumption is very low in stand-by. Total harmonic distortion is lower than 0.03%. The output structure is BTL (Bridge-Tied Load) mode for driving speaker load mode. Built-in over-temperature protection, package size is not occupies PCB space. It is suitable for small or portable products.

### **FEATURES**

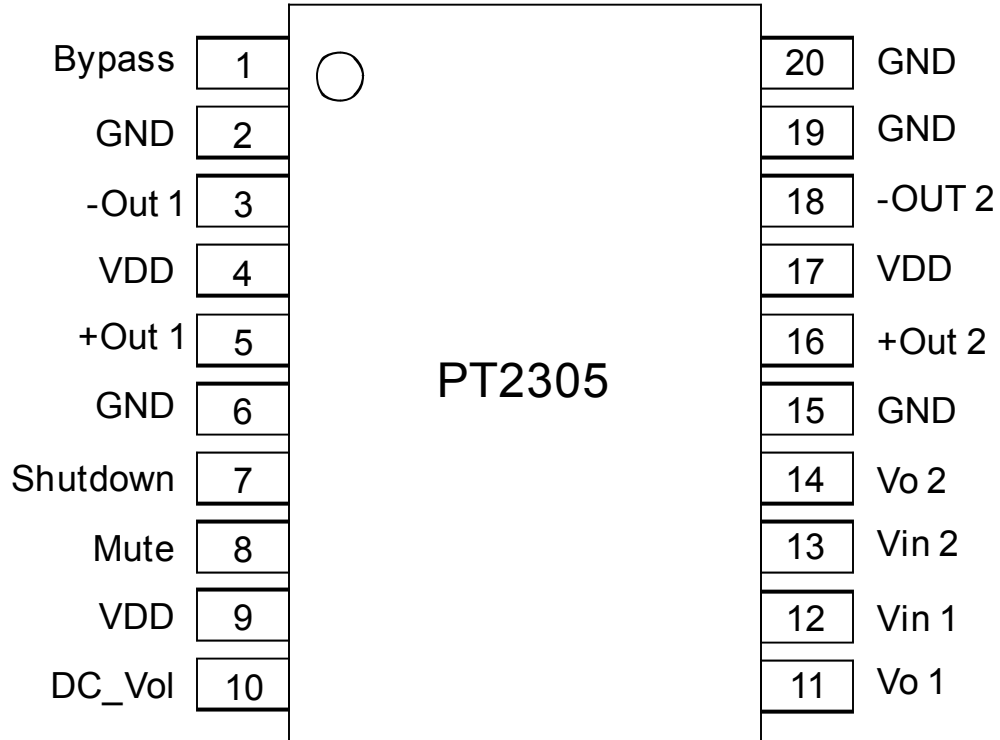
- CMOS Technology
- Operating voltage: 2.7V ~ 6V
- Output power 2.5W × 2 (4Ω/10%THD)
- Built-in 31 steps volume controller
- Suppress the pop and click noise when mode changed
- Extreme low current consumption in Shutdown mode ( $I_{cc} < 0.7\mu A$ )
- Built-in over temperature protection

### **APPLICATIONS**

- LCD monitor or TV
- Portable audio
- Multimedia speakers
- Other audio applications

**2.5W × 2 Class AB Audio Power Amplifier** **PT2305**

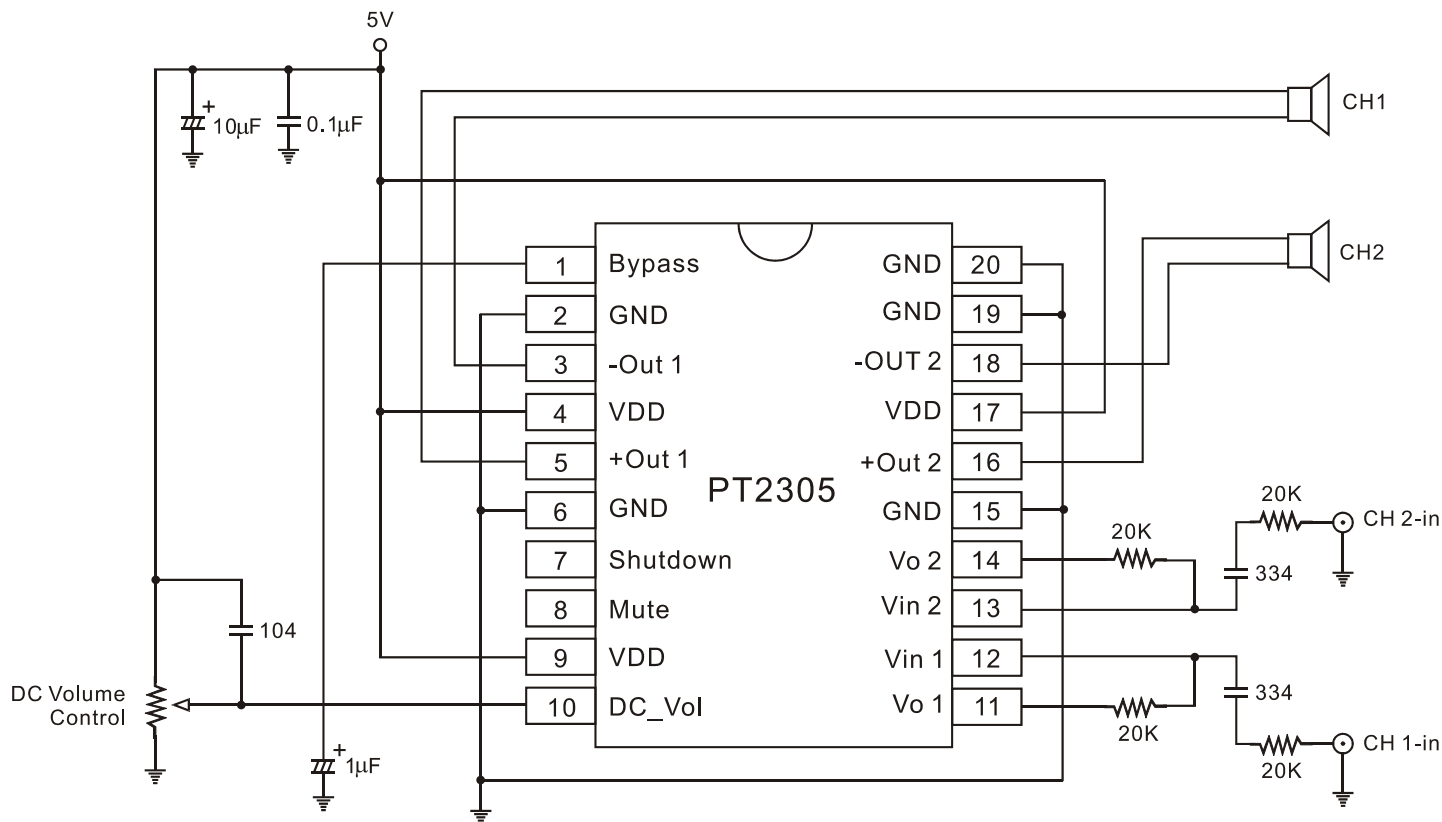
**PIN CONFIGURATION**



**2.5W × 2 Class AB Audio Power Amplifier**

**PT2305**

**APPLICATION CIRCUIT**



**ORDER INFORMATION**

| Valid Part Number | Package                | Top Code |
|-------------------|------------------------|----------|
| PT2305            | 20 Pins, TSSOP, 173mil | PT2305   |
| PT2305-S          | 20 Pins, SOP, 300mil   | PT2305-S |
| PT2305-D          | 20 Pins, DIP, 300mil   | PT2305-D |
| PT2305 (L)        | 20 Pins, TSSOP, 173mil | PT2305   |
| PT2305-S (L)      | 20 Pins, SOP, 300mil   | PT2305-S |
| PT2305-D (L)      | 20 Pins, DIP, 300mil   | PT2305-D |

Notes:

1. (L) = Lead Free
2. The Lead Free mark is put in front of the date code.